



Lighting Projects Ltd
Unit 3 Imperial House
Dawlish Business Park
Dawlish
Devon
EX7 0LX
Tel: +44 (0) 1626 867888
Fax: +44(0) 8717 501431
e-mail: sales@ledlightingprojects.com
www.ledlightingprojects.com

L.E.D. T8 LIGHT TUBES

THE ENERGY EFFICIENT REPLACEMENT FOR FLUORESCENT TUBES.

L.E.D. T8 LIGHT TUBES

The applications for LED Lighting Technology continue to grow as LED's evolve into the light source for the 21st century

FEATURES:



An extensive product range suitable for a vast range of lighting applications.

Offering the highest quality and adopting constant current driver technology. The Lighting Projects ED Tubes are energy saving, eco-friendly, no strobing and easy to install.

Providing superior efficiency and quality than that of similar low quality products that power the LED's with an AC series circuit resulting in early failure of the LED's

Available in 600mm, 900mm, 1200mm & 1500mm T8 sizes, the Pura-LED LED Light

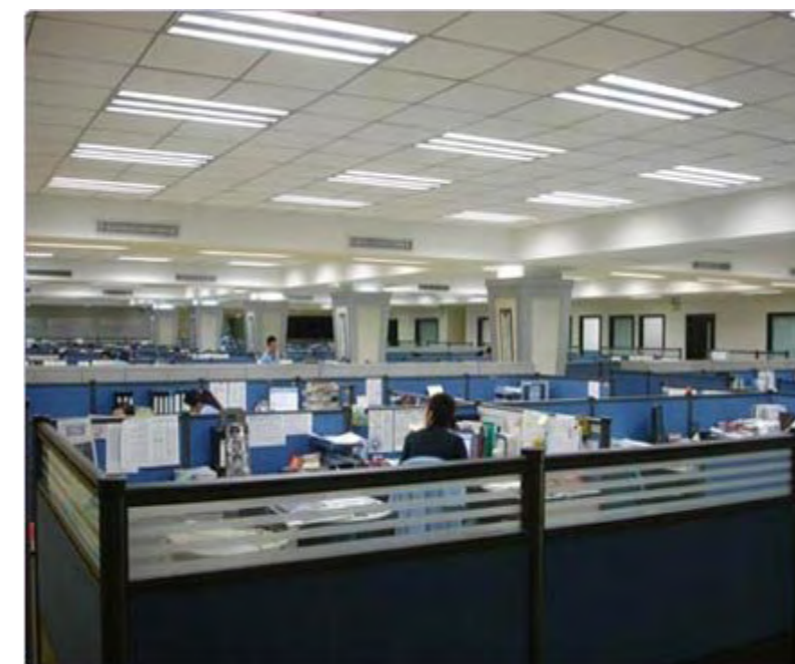
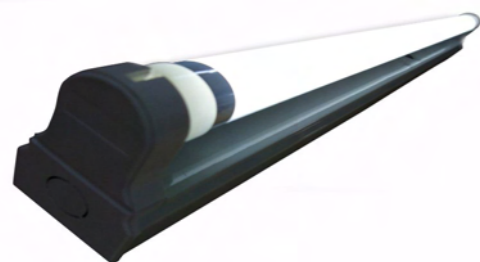
Part Number	Length	Diameter	Power	Qty of LED's	Lumens
TEL-LT600-[PW/CW/WW]	600mm	25mm	12	168	720
TEL-LT900-[PW/CW/WW]	900mm	25mm	15	252	840
TEL-LT1200-[PW/CW/WW]	1200mm	25mm	18	336	960
TEL-LT1500-[PW/CW/WW]	1500mm	25mm	25	420	1080

THE BENEFITS

- Ideal for retrofit into existing light fittings
- Up to 50% saving on energy, compared to existing T8 Fluorescent tubes
- No Infra Red or Ultra Violet Light emissions
- Life of over 50,000 hours
- No mercury or heavy metal content.



Tel: +44 (0) 1626 867888
Website: www.ledlightingprojects.com



Notes:

1. Isolate electrical supply before installation
2. Suitable for T8 7 T10 lamp holders only
3. Electronic control gear should be removed from circuit prior to installation of T8 tube (For Wire wound ballasts, only the starter needs removing)
4. There are no user serviceable parts within the tube, which should never be dismantled for servicing purposes



Designed for retrofitting into existing T8 fluorescent fittings, the Lighting Projects T8 LED tube series enables users to save up to 50% energy on their lighting, by simply changing the tube in the existing light fitting.

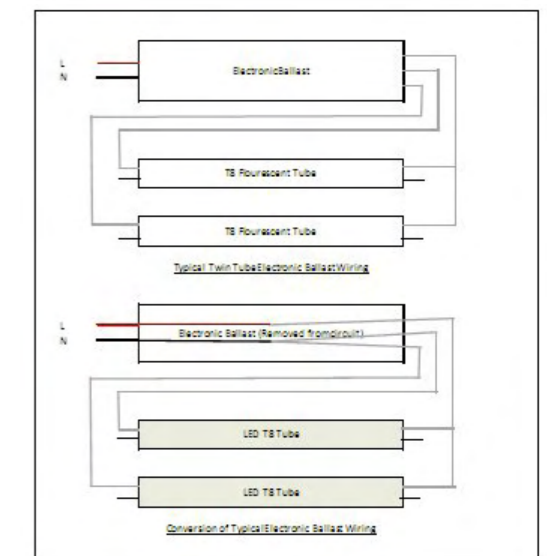
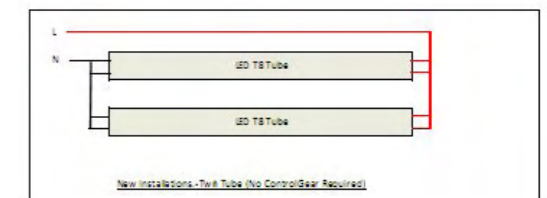
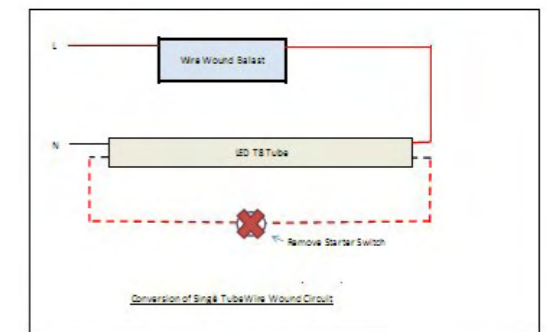
For wire wound ballasts simply unplug the starter, for electronic ballasts a simple alteration of the internal wiring of the fitting will be required.

Unlike fluorescent lamps, the Lighting Projects T8 tubes provide 100% light output within milliseconds of switching on the power, making them perfect for connecting to PIR sensors for even further huge energy savings.

Combine these massive energy saving characteristics with the operational life of over 50,000 hours, which will virtually eliminate maintenance costs, the Lighting Projects T8 Tubes will save you money from the day of installation and for years to come.



TYPICAL WIRING DIAGRAMS



Energy Window

